



IZERWAREN  
Order  
numbers

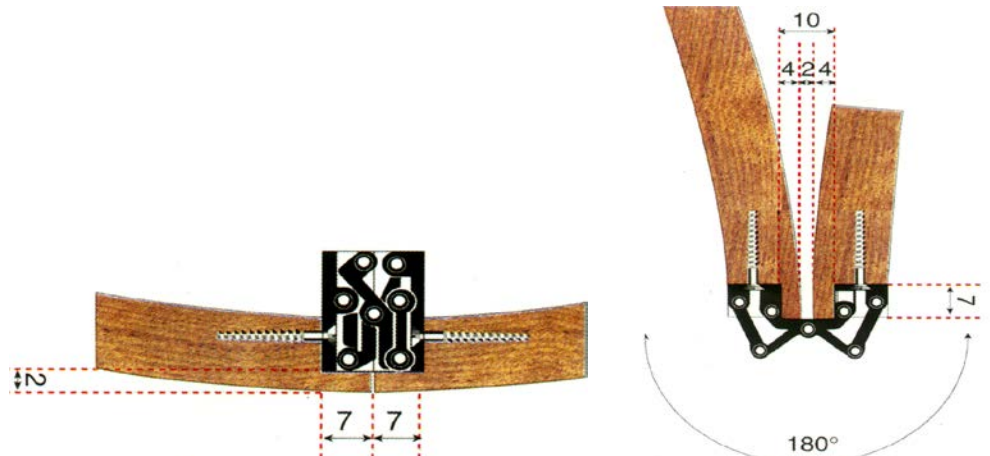
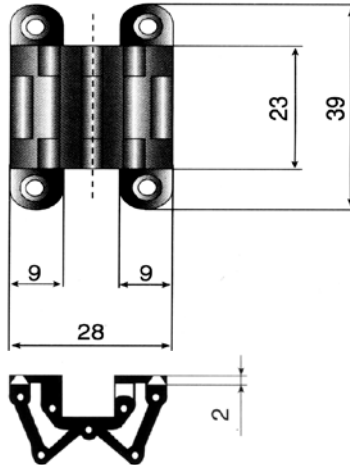
# Invisible Hinges

- Seawater Resistant
- Finish: Satin nickel plated

## MINI INVISIBLE HINGES WITH STAINLESS STEEL PINS



invisible hinge for minimum door thickness 1/2"



Small Invisible Hinge 41.039, minimum door thickness 1/2"

41.039 **Invisible hinge**  
For cabinet doors  
Dimensions: 28 x 39 x 9 mm  
Minimum door thickness: 11 mm  
or 1/2"  
180 degree opening

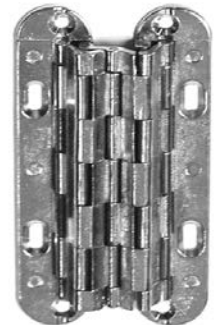
41.088 **Invisible hinge**  
For medium weight doors: 50 to  
22 lbs using 2 hinges  
88 x 18 x 13 mm ~  
Minimum door thickness: 24 mm  
180 degree opening



41.041



41.052

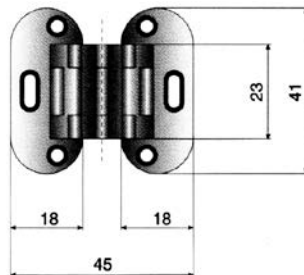


41.088

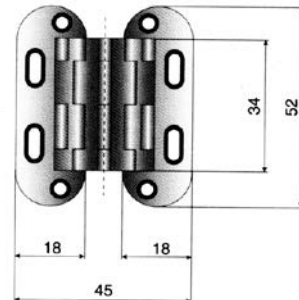
SEPA hinge for door thickness from 24 mm to 35 mm or 1" to 1 1/4"

41.052 **Invisible hinge**  
For medium to light doors: 40  
to 22 lbs using 2 hinges  
52 x 18 x 13 mm ~  
Minimum door thickness: 24 mm  
180 degree opening

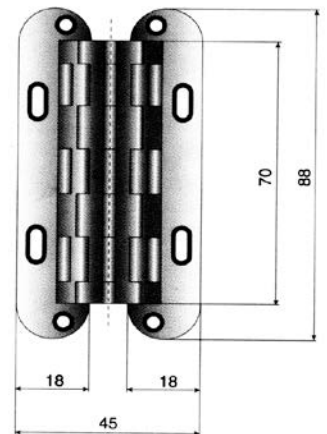
41.041 **Invisible hinge**  
For light doors: 22 lbs using 2  
hinges  
41 x 18 x 13 mm ~  
Minimum door thickness: 24 mm  
180 degree opening



41.041



41.052



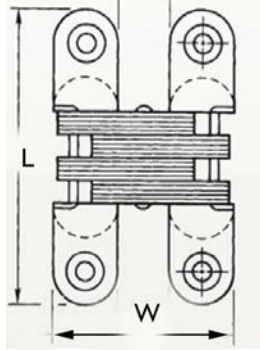
41.088



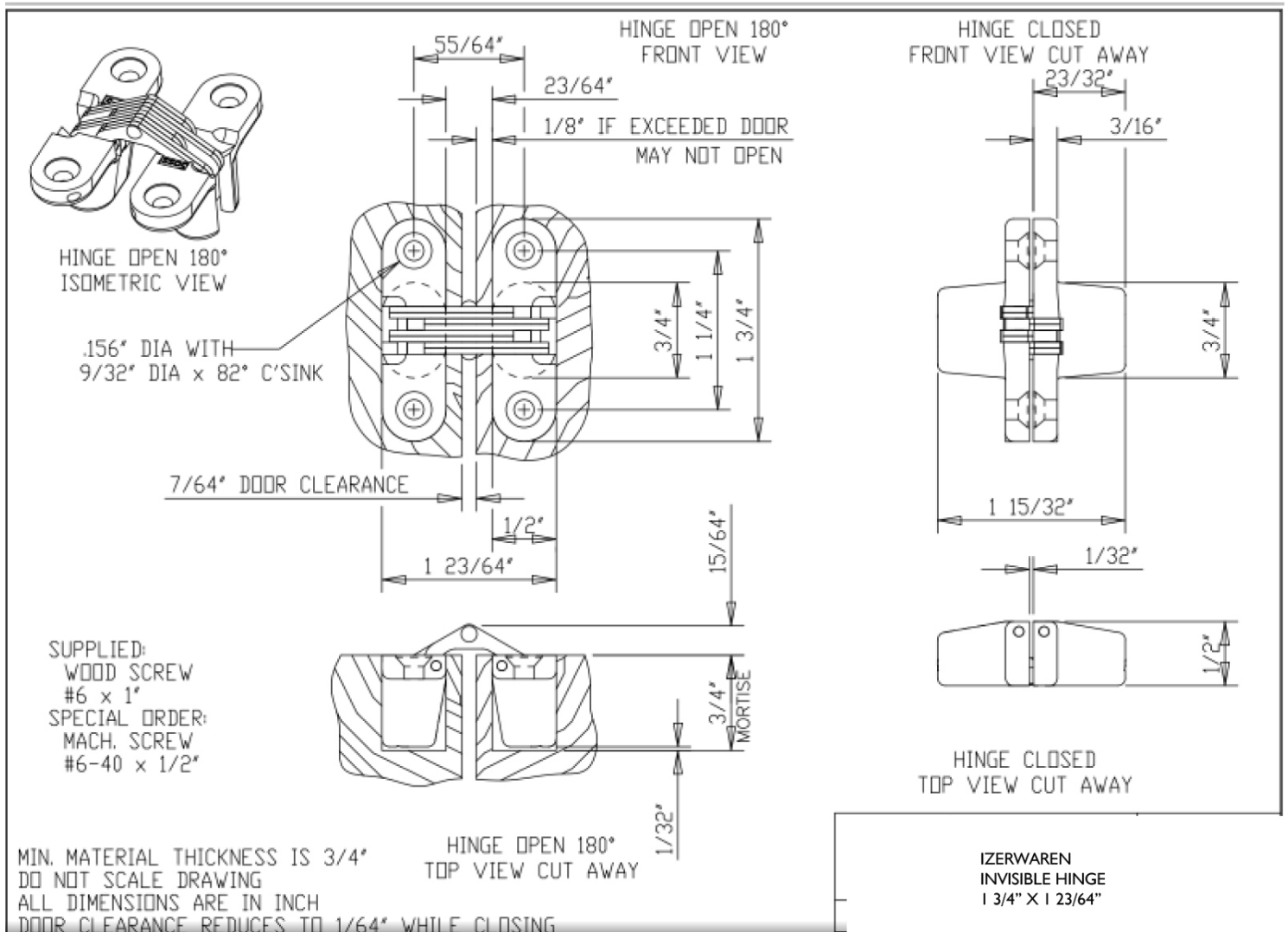
Izerwaren  
Order  
number

41.203 "SOSS" type invisible hinge

Size hinge:  
L: 1 3/4 inch x W: 1 23/64 inch  
Door thickness: 3/4 inch  
180 degree opening  
Finish: 316 satin stainless steel  
Minimum door thickness: 3/4 inch  
180 degree opening  
Max. Door weight: 30 kg / 66 lbs using 3  
hinges  
Finish: 316 satin stainless steel



#41.203 Invisible Hinge, minimum door thickness 3/4 inch

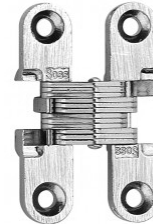
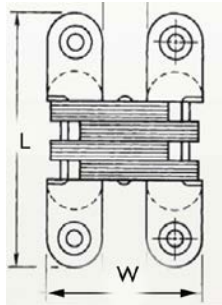




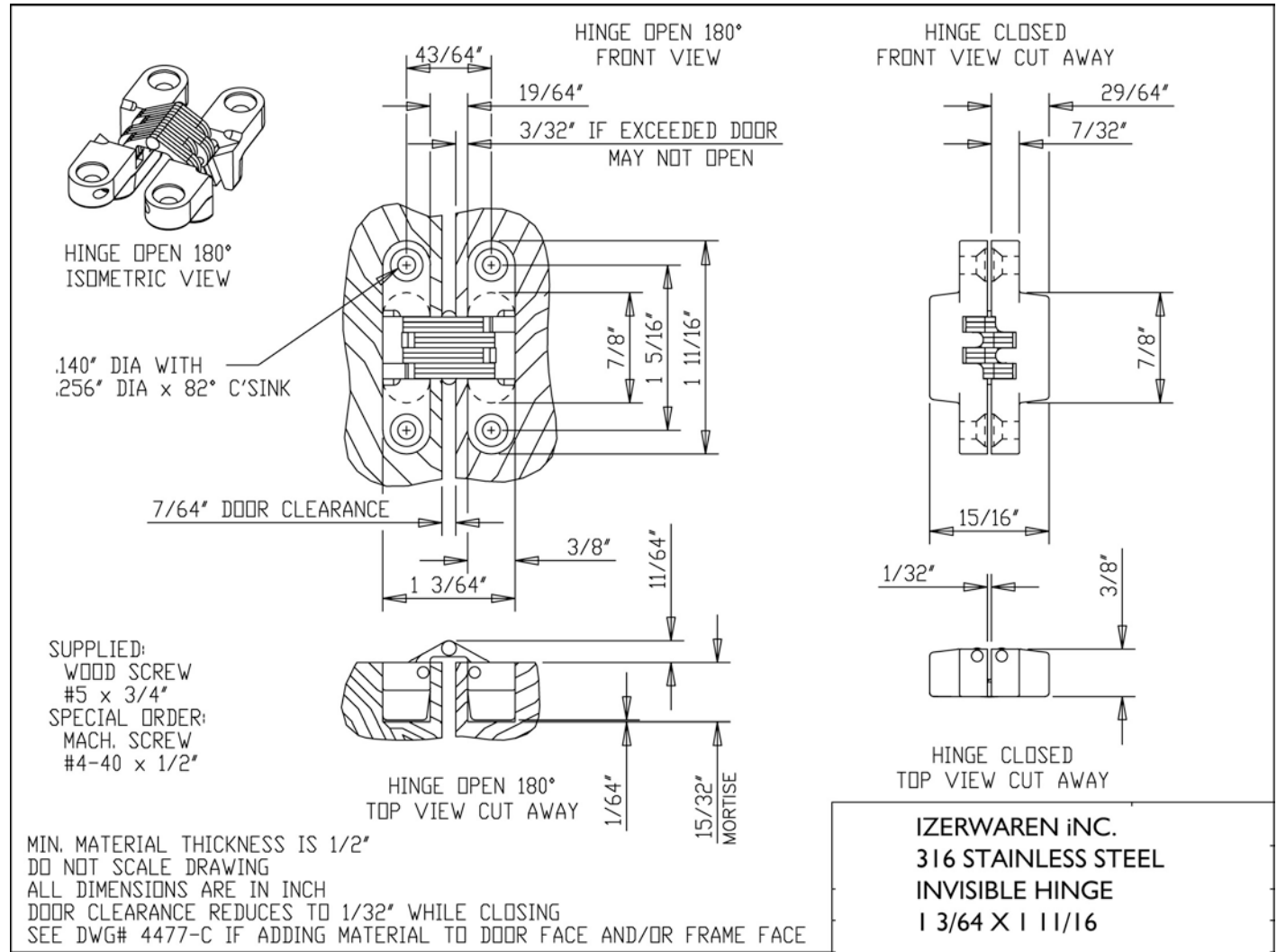
Izerwaren  
Order  
number

41.101 "SOSS" type invisible hinge

Size hinge:  
L: 1 11/16 inch x W: 1 3/64 inch  
Door thickness: 5/8 inch  
180 degree opening  
Finish: 316 satin stainless steel  
Max. Door weight: 7 kg / 15.4 lbs  
using 3 hinges  
Finish: 316 satin stainless steel



#41.101 Invisible Hinge, minimum door thickness 5/8 inch.





Izerwaren  
Order  
numbers

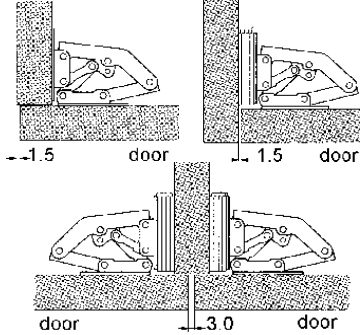
42.200 **Easy on hinge** (2000) 304 stainless steel  
42.20S **Easy on hinge** (2000S) spring loaded

For overlay, half overlay or insert doors.

Door thickness: 3/4" or 20 mm

Dimensions: Open: 4 1/16" L x 1 3/4"W

The spring loaded version has an electroplated hardened steel spring.



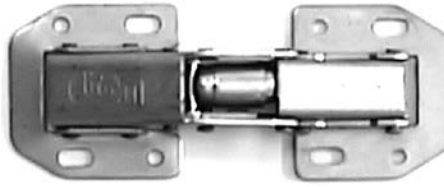
**Installation:**

Easy and quick installing non mortise cabinet hinge, no machining. Self closing and self locking. (spring loaded version)

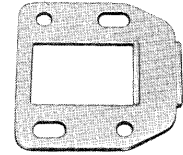
Use filler plates when installing half overlay or insert doors

42.001 White nylon filler plates (2001)  
Filler plates thickness: 1/16" thick  
For 2000 model only

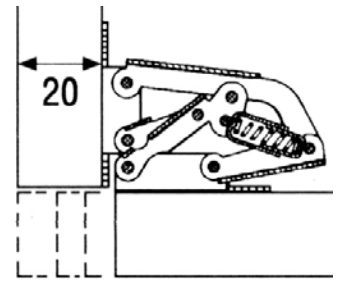
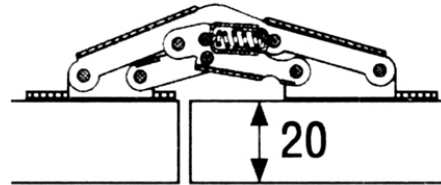
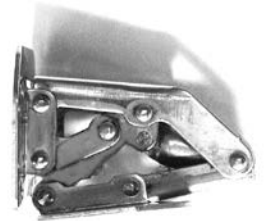
**304 STAINLESS STEEL EASY ON HINGE LIGHT DUTY**



#42.20S 90 degree stainless steel "easy on hinge",



#2001 filler plate



Leave 1.5 mm 1/16" gap when installing insert doors and full overlay.  
Leave 3 mm 1/8" gap when installing 2 doors back to back half overlay. For 3/4" thick material

**90 DEGREE OFFSET STEEL GALVANISED STEEL EASY ON HINGE**

**Offset type hinge.**  
42.0F0 **Easy on hinge** (2000F) not spring loaded  
42.0FS **Easy on hinge** (2000FS) spring loaded  
For overlay doors.  
90 degree opening, door swings out.  
Galvanized steel.

Door thickness: 3/4" or 20 mm

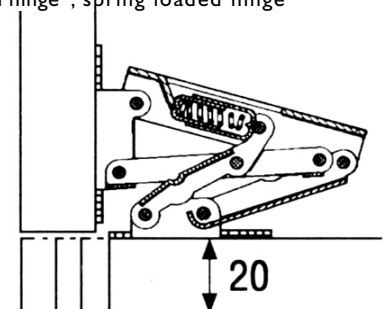
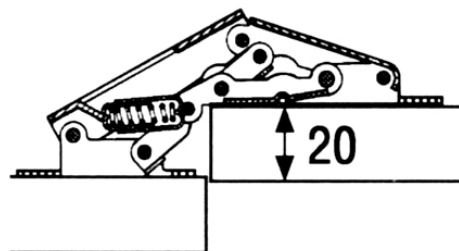
Dimensions: Open: 4 1/16" L x 1 3/4"W

Self closing and self locking = (spring loaded version)

The spring loaded version has an electroplated hardened steel spring.



#42.0F0 90 degree offset galvanized steel "easy on hinge", spring loaded hinge

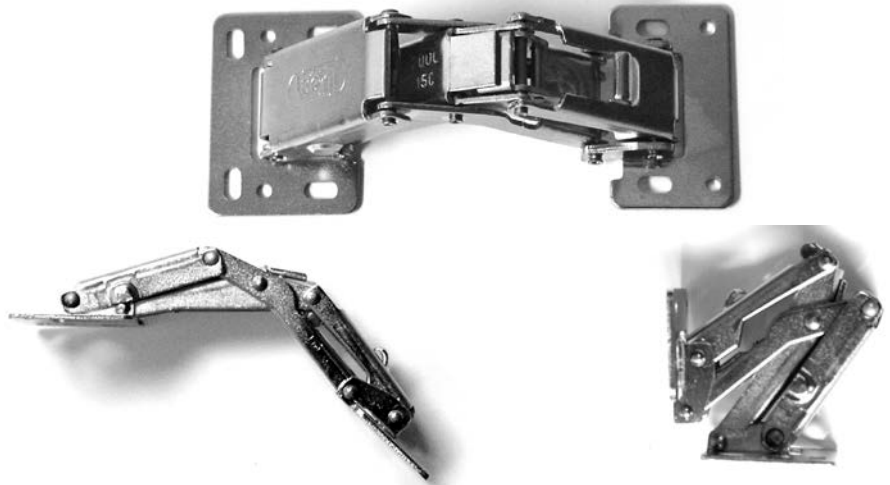


Leave 1.5 mm 1/16" gap when installing insert doors and full overlay. For 3/4" thick material

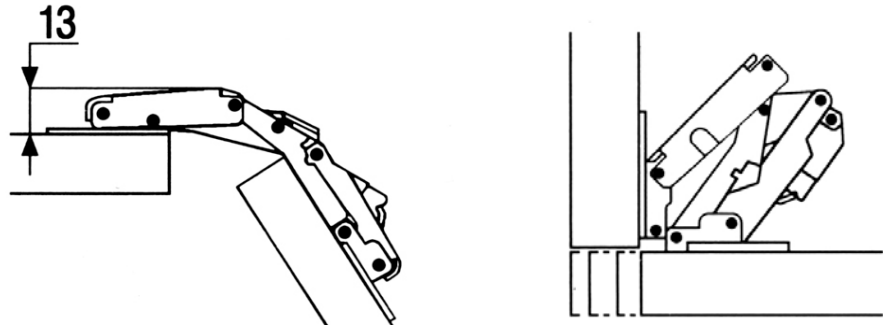


Izerwaren Stronger than regular "Euro" hinges  
Order numbers

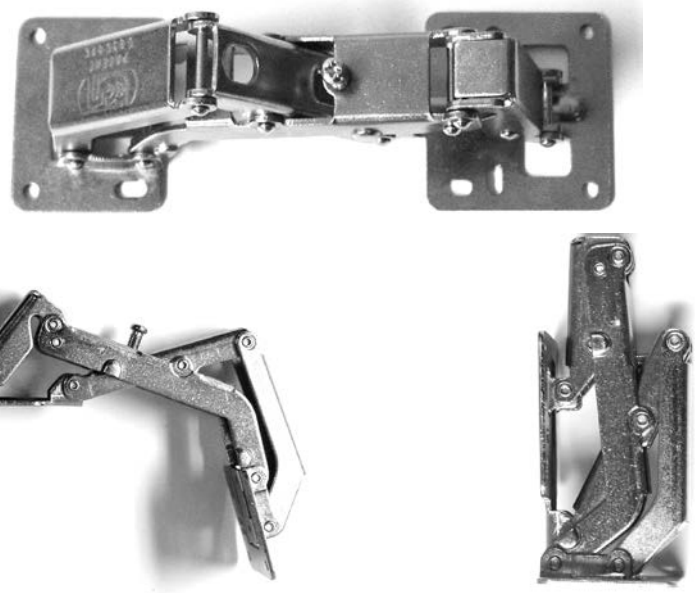
42.150 **Easy on hinge** (2000/150) not spring loaded  
42.15S **Easy on hinge** (2000/150S) spring loaded  
150 degree opening,  
For overlay, half overlay or insert doors.  
Dimensions: Open: 5 3/16" L x 2 1/16" W  
Required door thickness: 3/4" or 20 mm  
The spring loaded version has an electroplated hardened steel spring.  
Installation:  
Easy and quick installing non mortise cabinet hinge, no machining. Self closing and self locking. (spring loaded version)



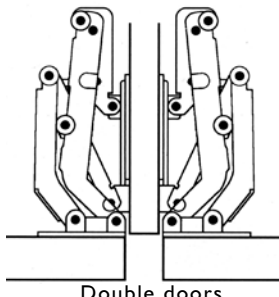
#42.150S 150 degree galvanized steel "easy on hinge", spring loaded hinge



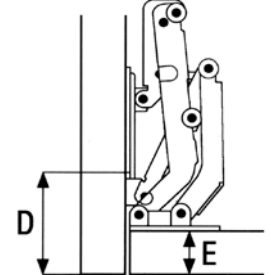
42.170 **Easy on hinge** (2000/170) not spring loaded  
42.17S **Easy on hinge** (2000/170S) spring loaded  
170 degree opening,  
For overlay, half overlay or insert doors.  
Dimensions: Open: 6 1/4" L x 2" W  
Required door thickness: 3/4" or 20 mm  
The spring loaded version has an electroplated hardened steel spring.  
Installation:  
Easy and quick installing non mortise cabinet hinge, no machining. Self closing and self locking. (spring loaded version)



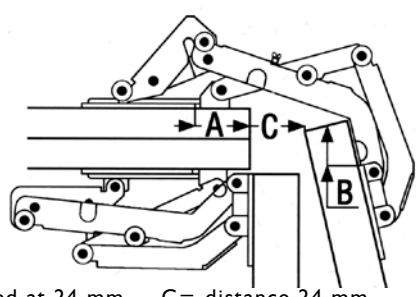
#42.17S 170 degree galvanized steel "easy on hinge", spring loaded hinge



Double doors



D = Maximum 44 mm  
B = Maximum 20 mm

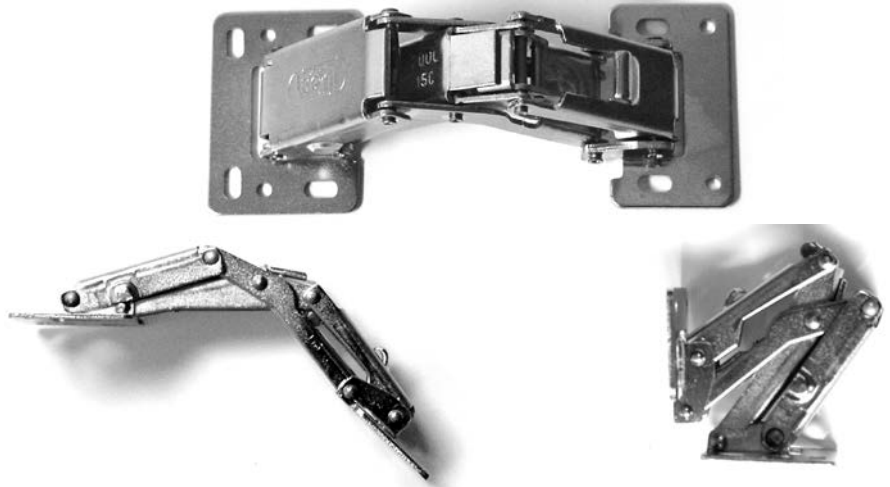


A = fixed at 24 mm C = distance 24 mm  
B = adjustable from 0 to 20 mm

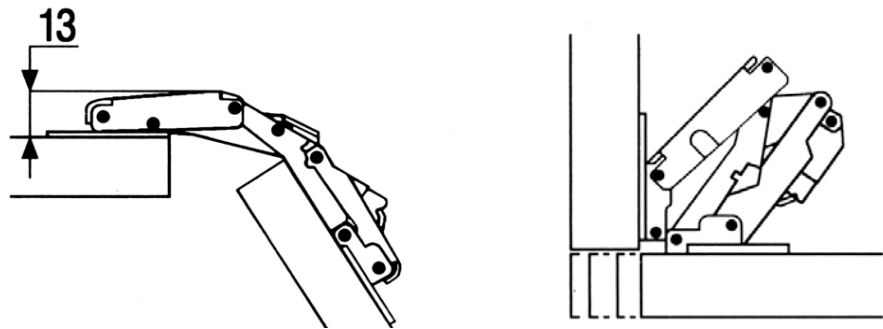


Izerwaren Stronger than regular "Euro" hinges  
Order numbers

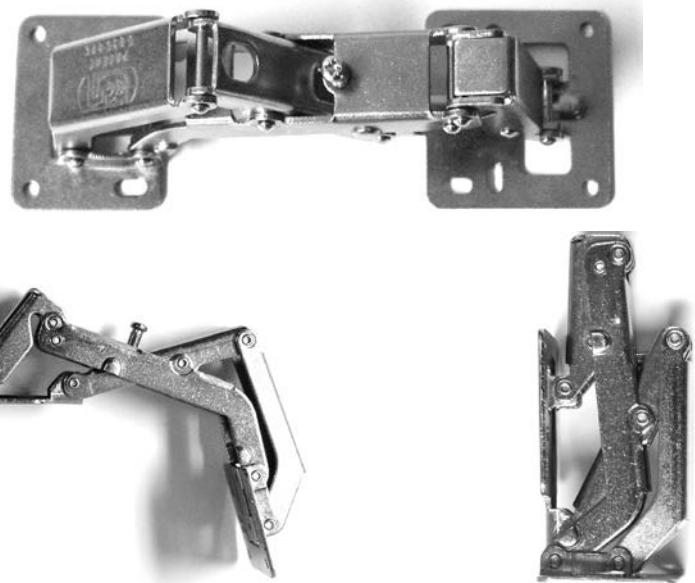
42.150 **Easy on hinge** (2000/150) not spring loaded  
42.15S **Easy on hinge** (2000/150S) spring loaded  
150 degree opening,  
For overlay, half overlay or insert doors.  
Dimensions: Open: 5 3/16" L x 2 1/16" W  
Required door thickness: 3/4" or 20 mm  
The spring loaded version has an electroplated hardened steel spring.  
Installation:  
Easy and quick installing non mortise cabinet hinge, no machining. Self closing and self locking. (spring loaded version)



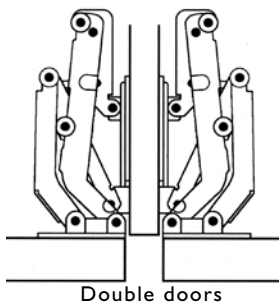
#42.150S 150 degree galvanized steel "easy on hinge", spring loaded hinge



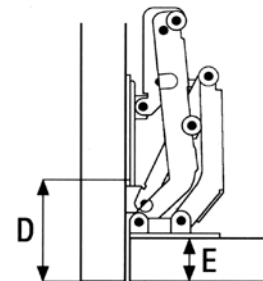
42.170 **Easy on hinge** (2000/170) not spring loaded  
42.17S **Easy on hinge** (2000/170S) spring loaded  
170 degree opening,  
For overlay, half overlay or insert doors.  
Dimensions: Open: 6 1/4" L x 2" W  
Required door thickness: 3/4" or 20 mm  
The spring loaded version has an electroplated hardened steel spring.  
Installation:  
Easy and quick installing non mortise cabinet hinge, no machining. Self closing and self locking. (spring loaded version)



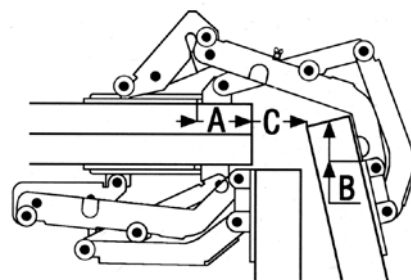
#42.17S 170 degree galvanized steel "easy on hinge", spring loaded hinge



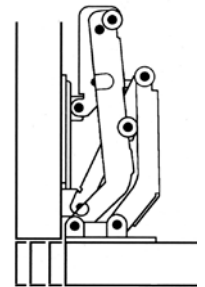
Double doors



D= Maximum 44 mm  
B= Maximum 20 mm



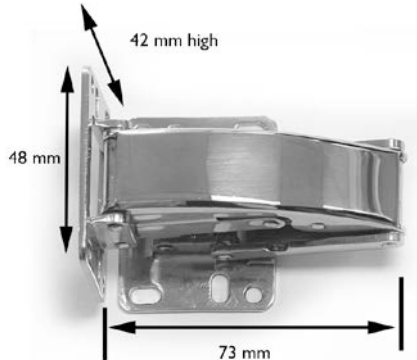
A= fixed at 24 mm C= distance 24 mm  
B= adjustable from 0 to 20 mm



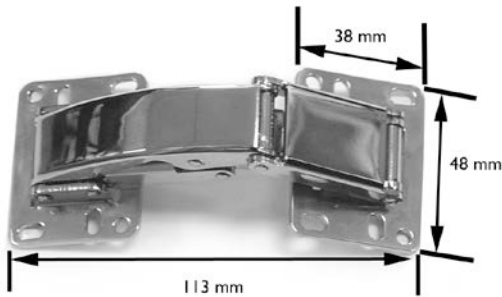


Izerwaren  
Order  
numbers

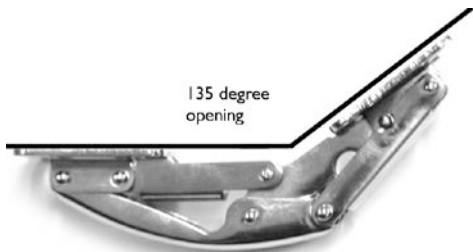
42.7753 **Invisible on hinge for cabinet doors  
or small deck hatches**  
**316 polished stainless steel**  
**125 degree opening**  
**For inlay or up lay doors**  
**Load: Max. 12 lb per hinge**  
**12/19 mm door thickness**



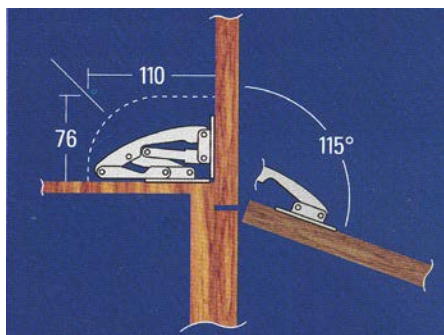
#42.7753 Easy On hinge;  
Closed dimensions in mm: 73 long x 42 high x 48 wide



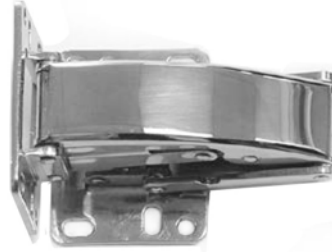
Open dimensions in mm: 113 long x 48 wide  
Footprint hinge plates: 48 x 38 mm



135 degree max. angle on hinge



resulting in 125 degree opening door for the  
small hinge 42.7753. Bigger size hinges  
open 115 degree.



#42.7753 Easy On hinge; 135 degree 316 polished stainless steel



Easy on hinge closed: 73 x 62 x 2 mm thick.  
Footprint: 48 x 38 mm.



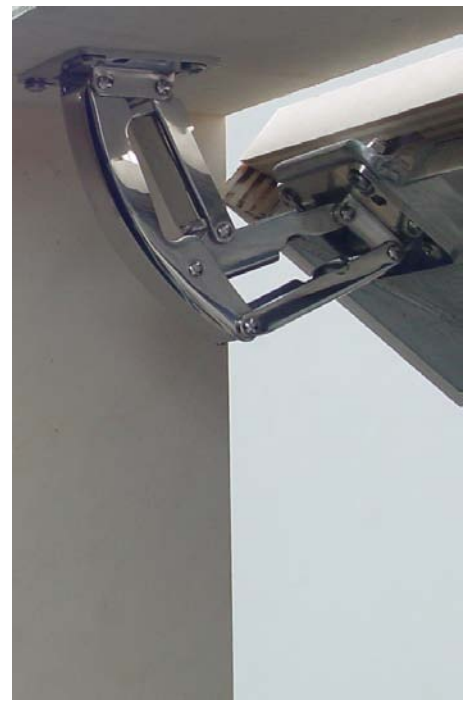
#42.7753; 125 degree 316 stainless steel easy on hinge



Half way open/ offset



125 degree fully open



Invisible 316 stainless steel hinges Part no.:  
#42.7753  
#42.8865  
#42.7755  
Flat screen TV mounting.









IZERWAREN  
Order  
numbers

**316 STAINLESS STEEL INVISIBLE HINGE**

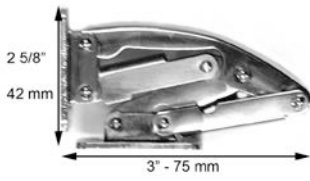
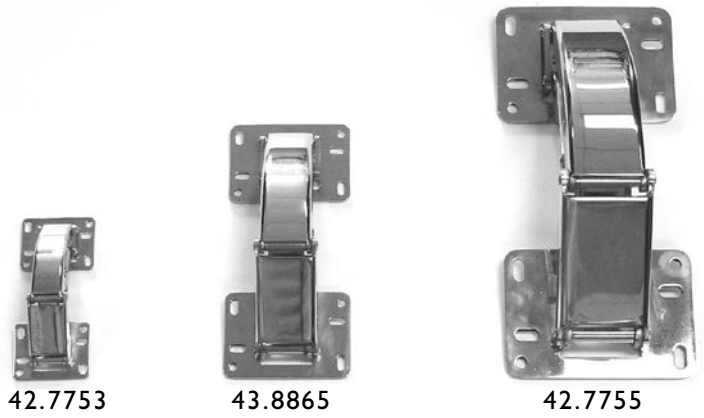
**Invisible on hinge for Hatches, Bulwark Doors  
Cabinet doors.**

**316 polished stainless steel  
135 degree opening  
For inlay or up lay doors**

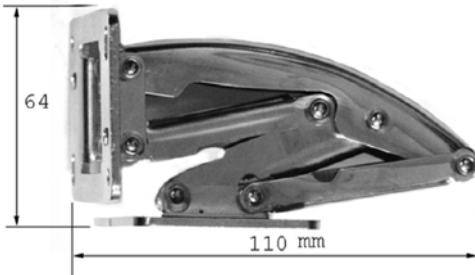
42.7753 **Small: Max. 12 lb per hinge**  
invisible / easy on hinge 316 stainless steel  
size 75 x 42 mm (3 x 2 5/8 inch)

42.8865 **Medium: Max. 50 lb per hinge**  
invisible / easy on hinge 316 stainless steel  
size 110 x 64 mm (4 1/4 x 2 1/2 inch)

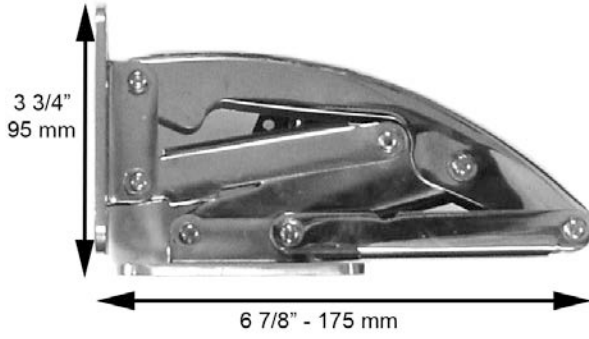
42.7755 **Big: Max. 75 lb per hinge**  
invisible / easy on hinge 316 stainless steel  
size 175 x 94 mm (6 7/8 x 3 3/4 inch)



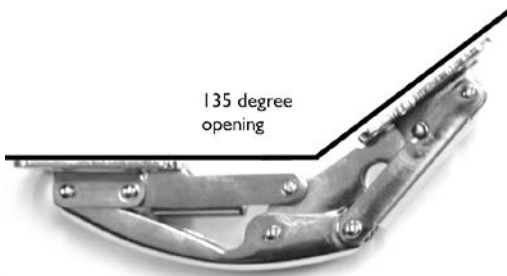
42.7753 Small Size 3 x 2 5/8 inch



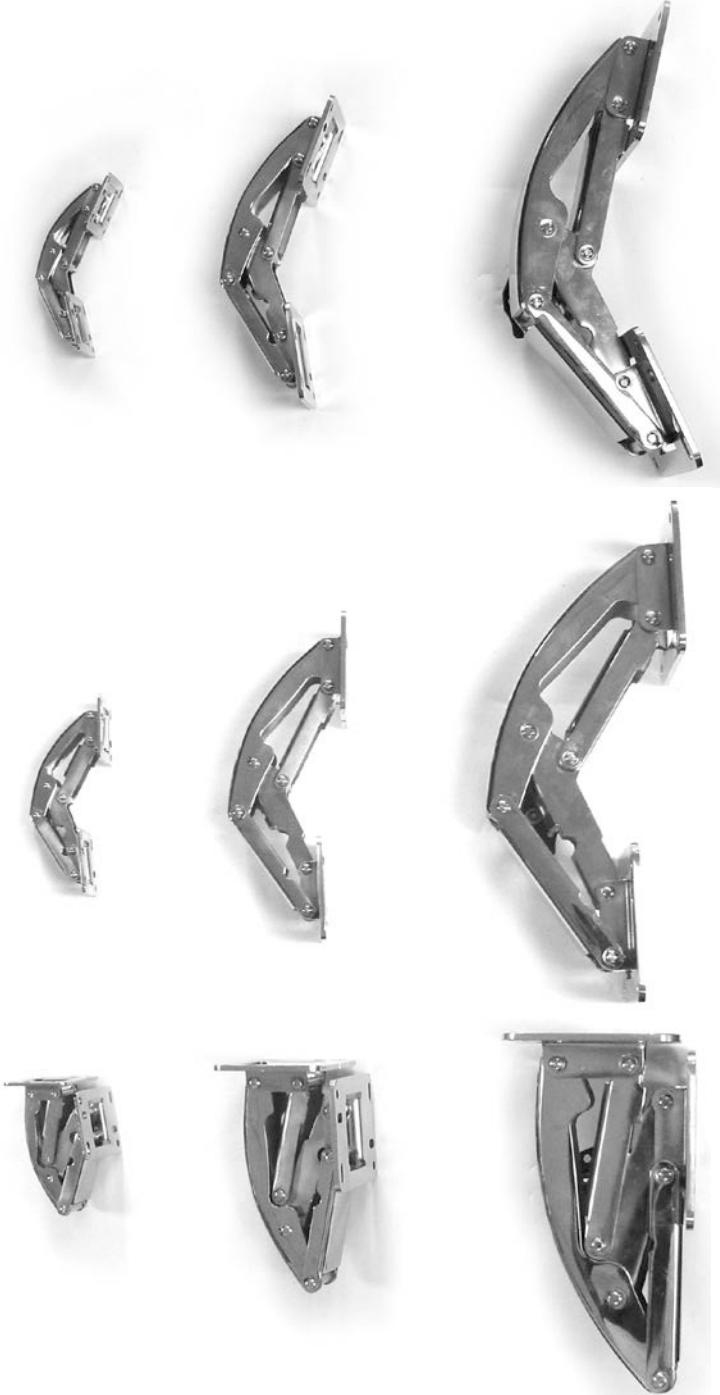
42.8865 Medium Size: 4 1/4 x 2 1/2 inch



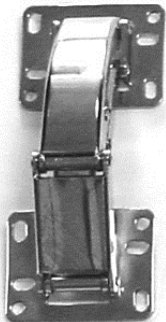
42.7755 Big Size: 6 7/8 x 3 3/4 inch



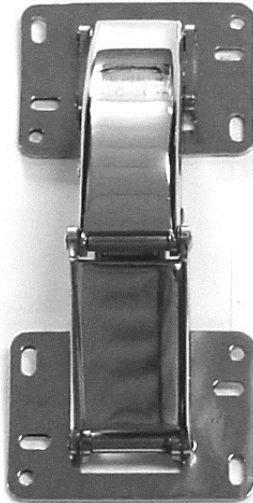
135 degree  
opening



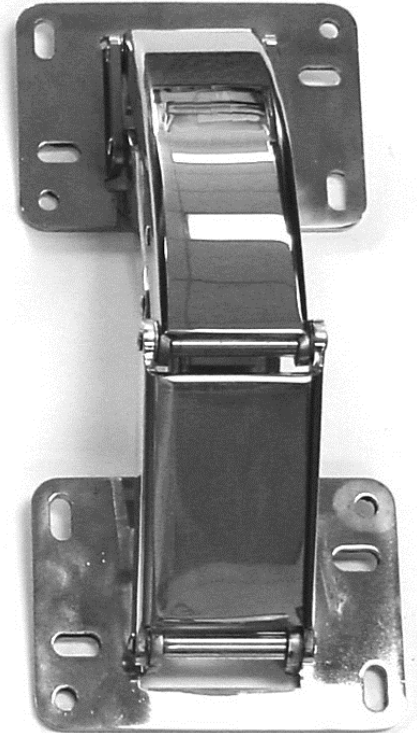
115 degree hatch opening



42.7753 Small: Max. load:  
12 lb per hinge.



42.8865 Medium: Max. load:  
50 lb per hinge.



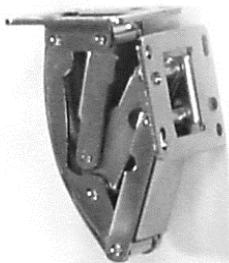
42.7755 Big: Max. load:  
75 lb per hinge.

**“EASY ON” HINGE FOR HATCHES, BULWARK DOORS AND CABINET DOORS.**

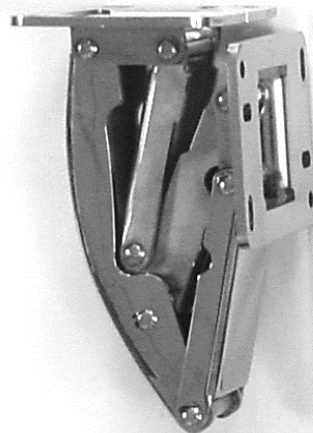
\* 316 polished stainless steel

\* 115 degree opening

\* For inlay and up lay doors



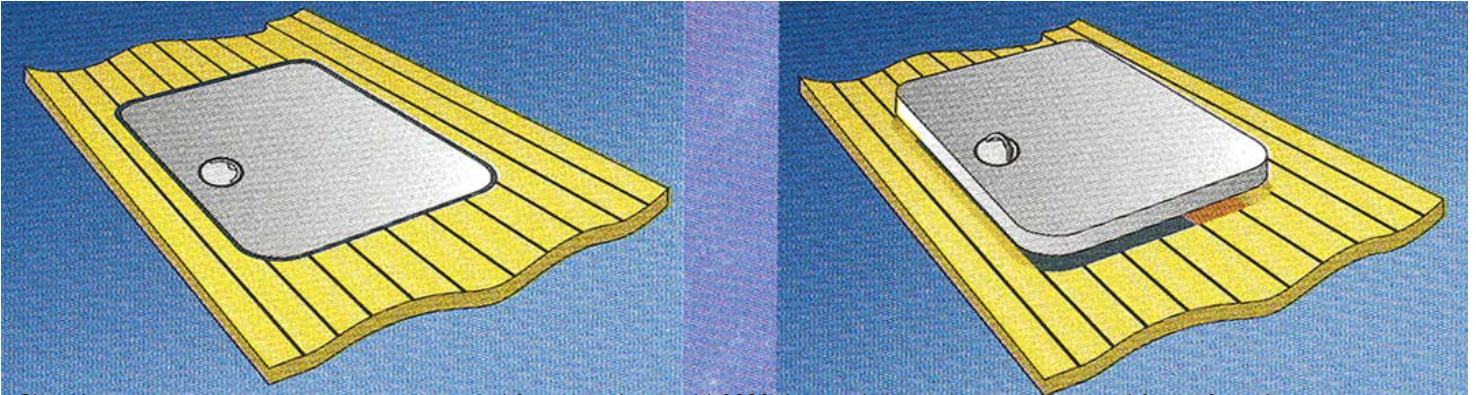
Size 3 x 2 5/8 inch



Size 4 1/4 x 2 1/2 inch



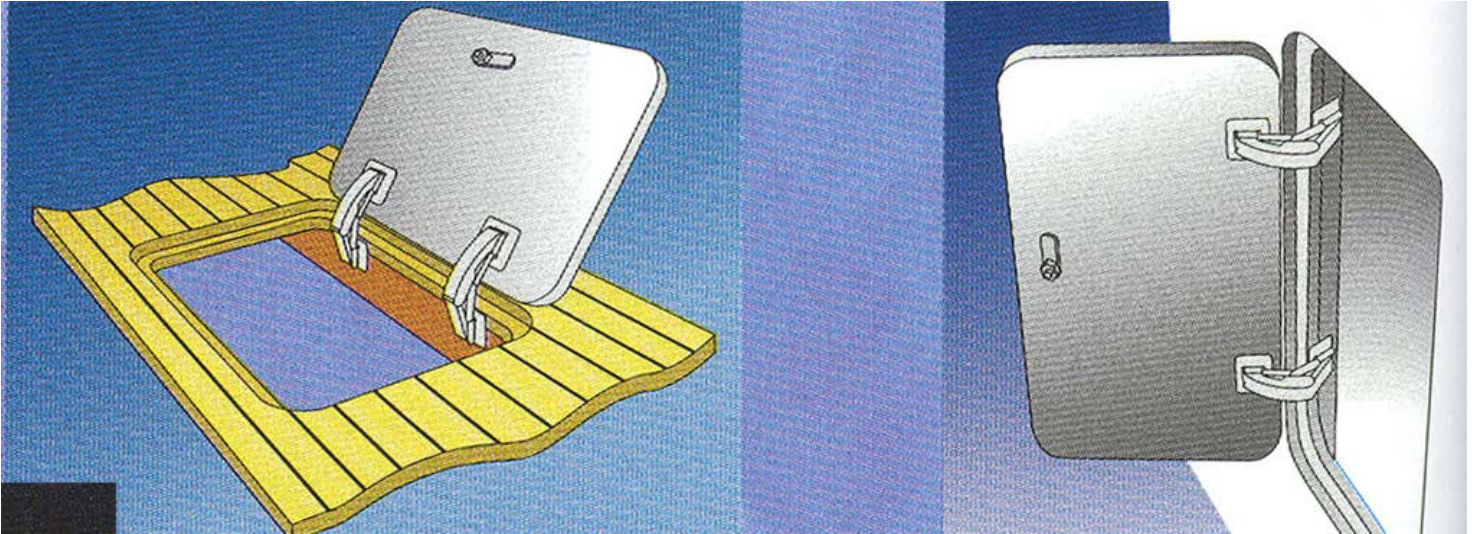
Size 6 7/8 x 3 3/4 inch



Closed

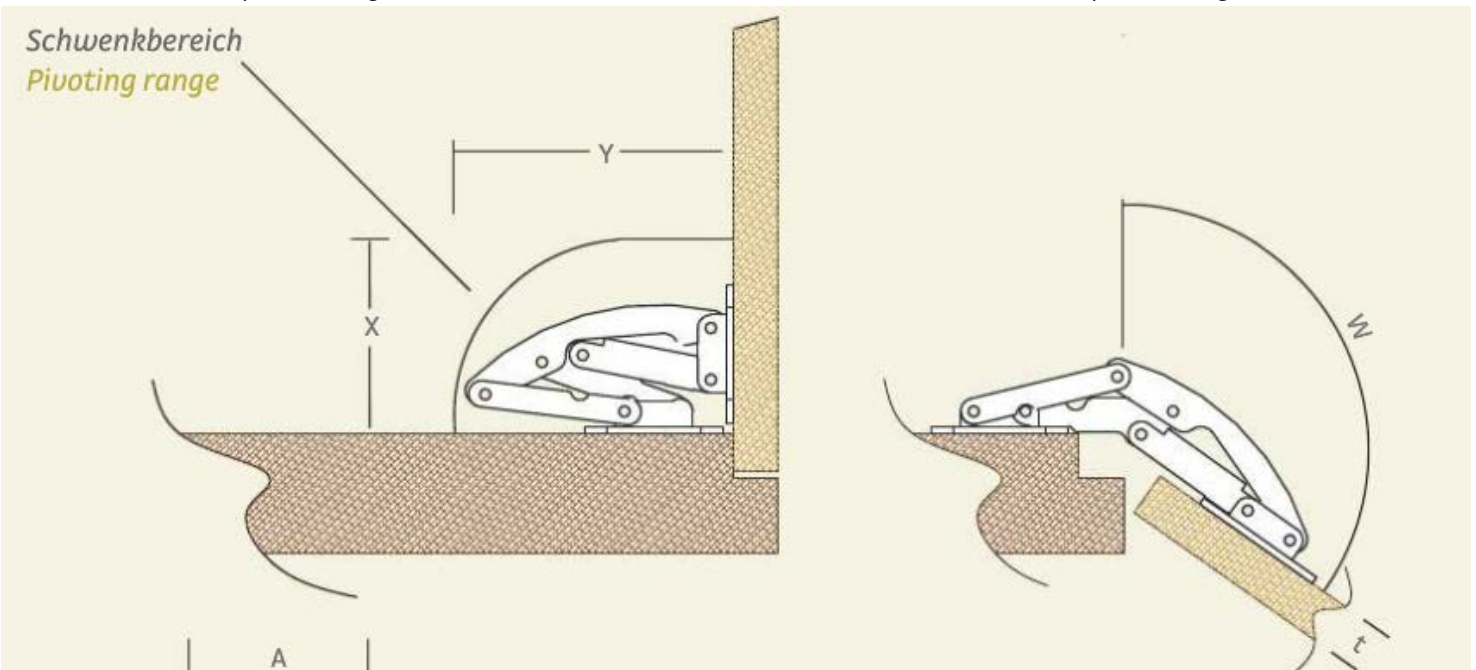
lift ring with cam 44.0980 depicted

lifts up first then out



Opens 115 degree

Opens 115 degree

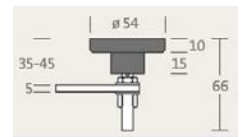
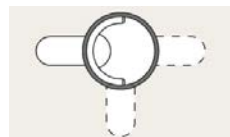


#42.7753 Small: opens 125 degree; 12 mm thick

#42.8865 Medium: Opens 115 degree; 20 mm thick

#42.7755 opens 115 degree; 30 mm thick

#44.0980 hatch fastener with cam and lift ring depicted above

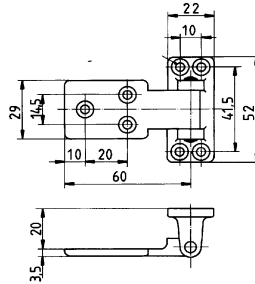




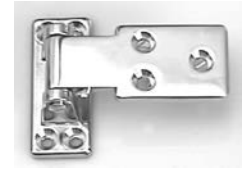
Izerwaren  
Order  
numbers

Hatch hinges, brass and die-cast  
aluminum and stainless steel

42.255 **Hinge** each, both handed  
Light duty  
Polished chrome plated die-cast  
Offset:  $\frac{3}{4}$ " ~ 20 mm  
Overall size: 60 x 52 mm



#42.255 door hinge  $\frac{3}{4}$ " offset



#42.255 door hinge  $\frac{3}{4}$ " offset dycast



Izerwaren  
Order  
numbers

- Stainless steel hinges
- Sea water resistant
- Satin stainless steel

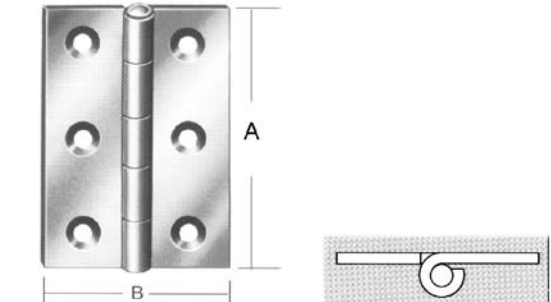
### CABIN AND CABINET HINGES

#### Half Wide Hinges

For tall cabinet doors and small cabin doors  
 Non removable pin  
 304 stainless steel  
 Interior grade

	high x wide x thick	inch sizes
42.523	40 x 32 x 0.9 mm	~ 1 7/16 x 1 1/4
42.524	50 x 39 x 1.0 mm	~ 2 x 1 1/2
42.525	60 x 46 x 1.2 mm	~ 2 3/8 x 1 13/16
42.526	80 x 58 x 1.5 mm	~ 3 1/8 x 2 1/4
42.527	100 x 72 x 1.5 mm	~ 4 x 2 13/16

#### Half Wide Hinges - Non removable pin



#42.52xx half wide hinge

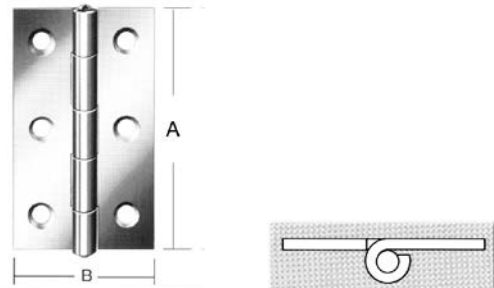
### INTERIOR GRADE 304 STAINLESS STEEL CABINET HINGES

#### Narrow Hinges - Non removable pin

#### Narrow hinges for cabinet doors

Non removable pin  
 304 stainless steel  
 Interior grade

	high x wide x thick	inch sizes
42.513	30 x 22 x 0.8 mm	~ 1 3/16 x 7/8
42.514	40 x 26 x 0.9 mm	~ 1 7/16 x 1
42.515	50 x 31 x 1.0 mm	~ 2 x 1 1/4
42.516	60 x 34 x 1.2 mm	~ 2 3/8 x 1 3/8
42.518	80 x 41 x 1.5 mm	~ 3 1/8 x 1 5/8
42.519	100 x 52 x 1.5 mm	~ 4 x 2

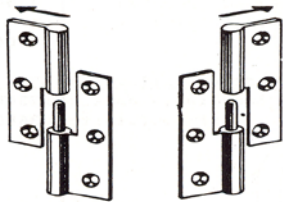


#42.51xx narrow hinge

#### Lift off Cabinet Hinge

304 stainless steel  
 Interior grade

	high x wide x thick	inch sizes
42.20050	50 x 40 x 1.5 mm Left	2 x 1 9/16
42.20051	50 x 40 x 1.5 mm Right	2 x 1 9/16



DIN left      DIN right



#42.20050 Left Hand lift of hinge  
 #42.20050 Left Hand lift of hinge



izerwaren  
Order  
numbers

- Brass hinges for cabinet doors
- Light duty
- NOT Sea water resistant
- Finish in stock:
- polished chrome plated brass
- other finishes are custom orders

**Hinge for cabinet doors**



#42.728 1 1/2" x 1 1/2"



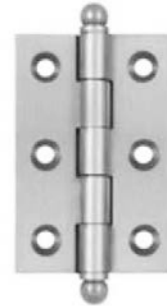
#42.727 2" x 1 1/2"

42.728 brass butt hinge 1 1/2" x 1 1/2"  
barrel 1/4" thickness 5/64"  
removable pin, with finial

42.727 brass butt hinge 1 1/2" x 2"  
barrel 1/4" thickness 5/64"  
removable pin, with finial



#42.726 2"x2"



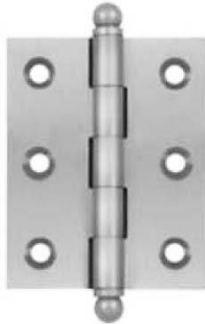
#42.725 2 1/2" x 1 1/16"

42.726 brass butt hinge 2" x 2"  
barrel 1/4" thickness 5/64"  
removable pin, with finial

42.725 brass butt hinge 1 3/4" x 2 1/2"  
barrel 1/4" thickness 3/32"  
removable pin, with finial

All hinges have ball tip finial.

42.724 brass butt hinge 2" x 2 1/2"  
barrel 1/4" thickness 3/32"  
removable pin, with finial



#42.724 2 1/2" x 2"



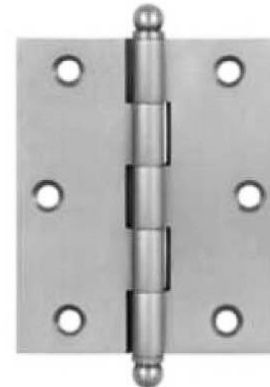
#42.723 2 1/2" x 2 1/2"

42.723 brass butt hinge 2 1/2" x 2 1/2"  
barrel 1/4" thickness 3/32"  
removable pin, with finial

42.722 brass butt hinge 2" x 3"  
barrel 5/16" thickness 1/8"  
removable pin with finial



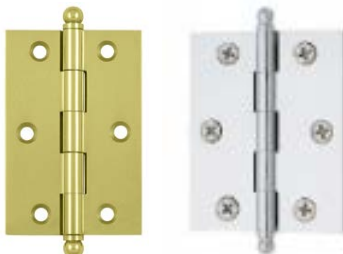
#42.722 3" x 2"



#42.721 3" x 2 1/2"

42.721 brass butt hinge 2 1/2" x 3"  
barrel 5/16" thickness 1/8"  
removable pin with finial

All hinges have ball tip finial.



**INTERIOR GRADE CABINET HINGES WITH STEEL PIN, NOT SEAWATER RESISTANT.**



**Finial options for cabinet and cabin door hinges**

**Custom order only**

**FINIAL OPTIONS**

